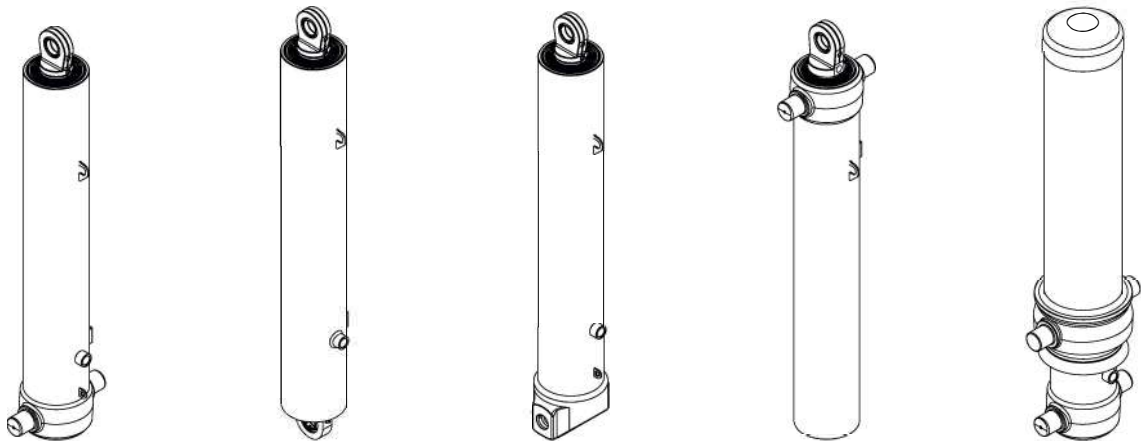




## SAMPLE CODING SCHEMA

CYLINDER TYPE	NUMBER OF STAGE	TOTAL STROKE	FIRST STAGE DIAMETER	MOUNTING TYPE
LFT	4	3980	155	KR
FRONT LIFTING	7-6-5-4-3-2	REFER TO THE TABLE	230-205-180-155-135-115	KR-BR-RR-RK-KK

## CYLINDER MOUNTING TYPES



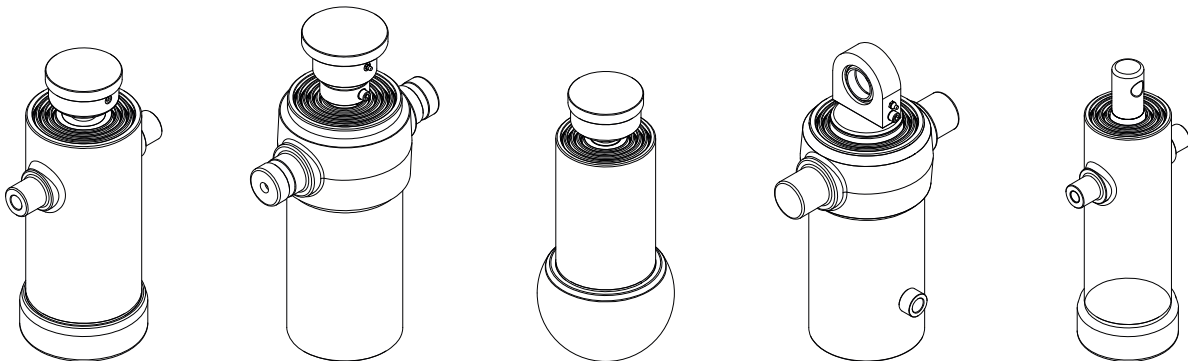
KR (1)	RR (2)	BR (3)	RK (4)	KK (5)
--------	--------	--------	--------	--------



## SAMPLE CODING SCHEMA

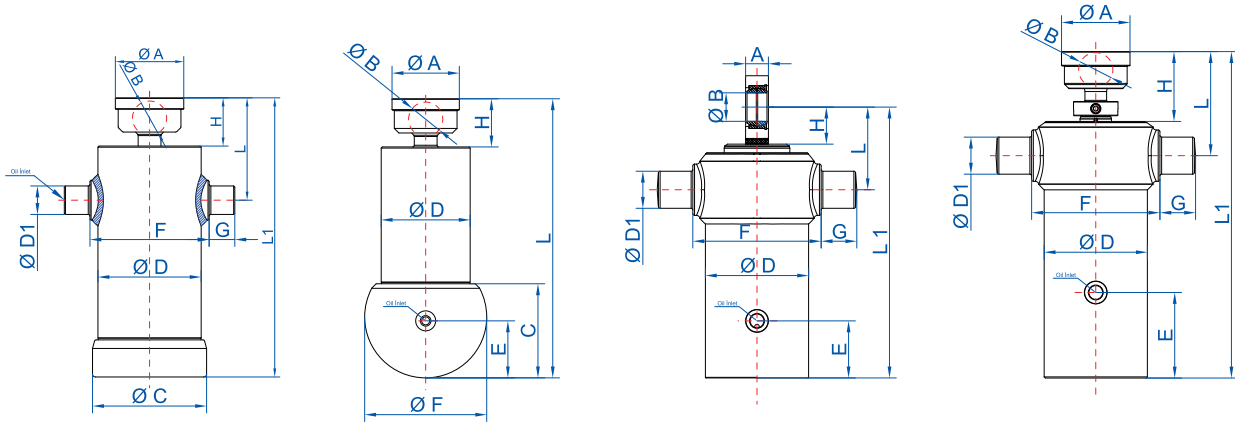
CYLINDER TYPE	NUMBER OF STAGE	TOTAL STROKE	FIRST STAGE DIAMETER	MOUNTING TYPE
LFTA	4	1160	155	MK
BOTTOM LIFT	7-6-5-4-3-2	REFER TO THE TABLE	230-205-180-155-135-115-95-75-55	MK-KK-TK-KR-MP

## CYLINDER MOUNTING TYPES



MK (1)	KK (2)	TK (3)	KR (4)	MP (5)
--------	--------	--------	--------	--------

# LFTA SERIES CYLINDER TYPES



PRODUCT CODE	Z	ØB	C	ØD	ØD1	E	F	G	H	L*	L1	OIL INLET	OIL VOLUME (LT)	WEIGHT (KG)
LFTA-3.115.0900.MK.1	118	60	155	136	40	-	165	40	85	180	500	R 3/4"	4	40
LFTA-3.115.1200.MK.1	118	60	155	136	40	-	165	40	85	180	600	R 3/4"	6,5	45
LFTA-3.135.0870.MK.1	118	60	175	156	40	-	185	40	85	180	490	R 3/4"	6,8	60
LFTA-4.135.0960.MK.1	118	60	175	156	40	-	185	40	85	180	440	R 3/4"	8,7	55
LFTA-4.155.1160.MK.1	118	60	200	181	50	-	210	50	85	180	490	R 3/4"	17	65
LFTA-4.155.1200.MK.1	118	60	200	181	50	-	210	50	85	180	505	R 3/4"	17,7	60
LFTA-5.180.1350.MK.1	118	60	225	206	50	-	235	50	85	180	470	R 1"	23	78
LFTA-6.180.1740.MK.1	118	60	225	206	50	-	235	50	85	180	490	R 1"	25,6	100
LFTA-4.155.2000.KK.1	118	60	-	181	65	150	225	62,5	125	190	675	R 1"	26	70
LFTA-5.155.1750.KK.1	118	60	-	181	65	150	225	62,5	125	190	620	R 1"	22	68
LFTA-6.180.2700.KK.1	118	60	-	206	65	150	250	62,5	125	195	720	R 1"	38	113
LFTA-4.135.1020.TK.1	118	60	165	156	-	100	214	-	85	-	490	R 3/4"	11	60
LFTA-5.155.1350.TK.1	118	60	165	181	-	100	214	-	85	-	505	R 3/4"	12	70
LFTA-3.155.0750.KR.1	40	50	-	181	65	150	225	62,5	65	150	480	R 1"	11,65	82
LFTA-5.180.2300.KR.1	40	50	-	181	65	150	225	62,5	65	150	690	R 1"	39	107

- Çalışma Basıncı / Working Pressure : 190 Bar
- Maksimum Çalışma Basıncı / Maximum Working Pressure : 200 Bar
- Renk / Paint : Ral 9005
- Tüm kademeler sert krom kaplıdır / All stages are hard-chrome plated.
- Silindir boruları EN 10305-1 e göre soğuk çekme St-52 E355+SR sertifikalıdır / All cylinder tubes are St-52 E355+SR cold drawn steel tube according to EN 10305-1 norm
- Tüm bağlantı parçaları dövme çeliktendir / All connection parts are forging steel

ROD DIAMETER (mm)	THRUST FORCE (Ton)
Ø230	79
Ø205	63
Ø180	49
Ø155	36
Ø135	27
Ø115	20
Ø95	14
Ø75	8
Ø55	5

\* AK serisi silindir tipleri için teknik özellik ve bağlantı şekilleri müşteri talepleri doğrultusunda tasarlanabilir. / AK series cylinders can be customized according to customers need.